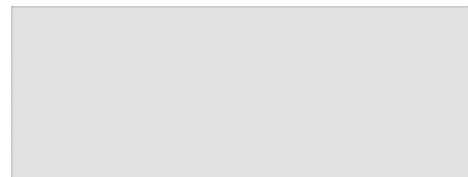


**RICHIEDENTE**

APPLICANT / CLIENT / ANTRAGSTELLER

.....  
 .....  
 .....



TIMBRO / CUSTOMER'S SEAL / TAMPON / STEMPEL

**MODELLO**

MODEL / MODELE / MODELL

**INOX SCROLL : IS-PSC**

**ALTEZZA**

HEIGHT / HAUTEUR / HÖHE

**2000**

mm.



**NON REVERSIBILE**

NON-REVERSIBLE / NON-REVERSIBLE / NICHT UMKEHRBAR

**LASTRA**

GLASS / VERRE / GLAS

**COLORE**

COLOUR / COULEUR / FARBE

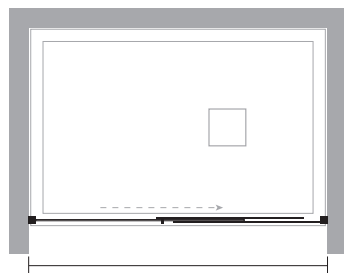
**INOX**

**NOTE / NOTES / NOTES / NOTIZEN**

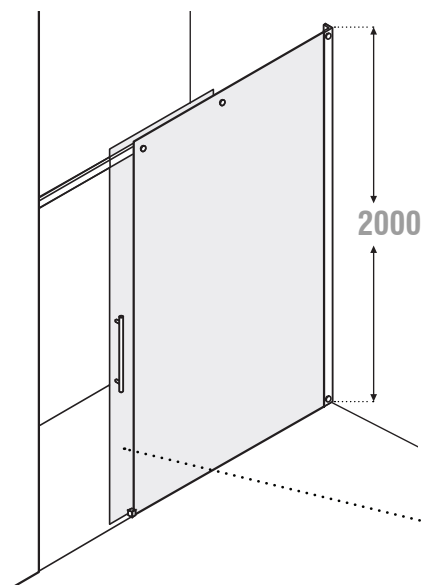
.....  
 .....  
 .....

**VERSIONE DESTRA (DX)**

RIGHT HANDED (DX) / VERSION DROITE (DX) / RECHTE VERSION

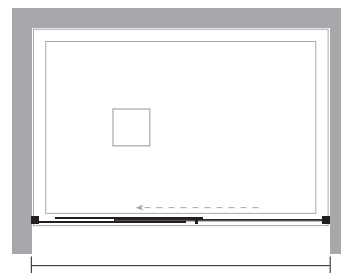


min 900 / max 2100 mm.

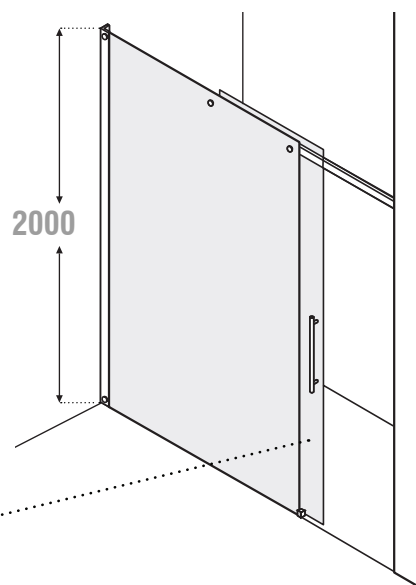


**VERSIONE SINISTRA (SX)**

LEFT HANDED (SX) / VERSION GAUCHE (SX) / LINKE VERSION



min 900 / max 2100 mm.



Anta / Door / Porte / Tür  
**L max 715 mm.**