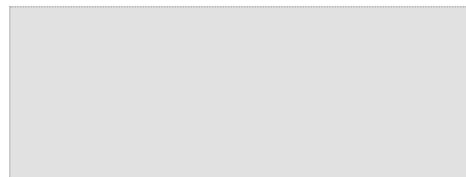


RICHIEDENTE

APPLICANT / CLIENT / ANTRAGSTELLER

.....



TIMBRO / CUSTOMER'S SEAL / TAMPON / STEMPEL

MODELLO

MODEL / MODELE / MODELL

ITALO : IT-C8

ALTEZZA

HEIGHT / HAUTEUR / HÖHE

..... mm.



REVERSIBILE

REVERSIBLE / REVERSIBLE / UMKEHRBAR

SP. VETRO

HEIGHT / HAUTEUR / GLASSTÄRKE

8 mm

LASTRA

GLASS / VERRE / GLAS

.....

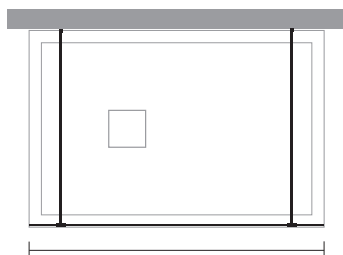
COLORE

COLOUR / COULEUR / FARBE

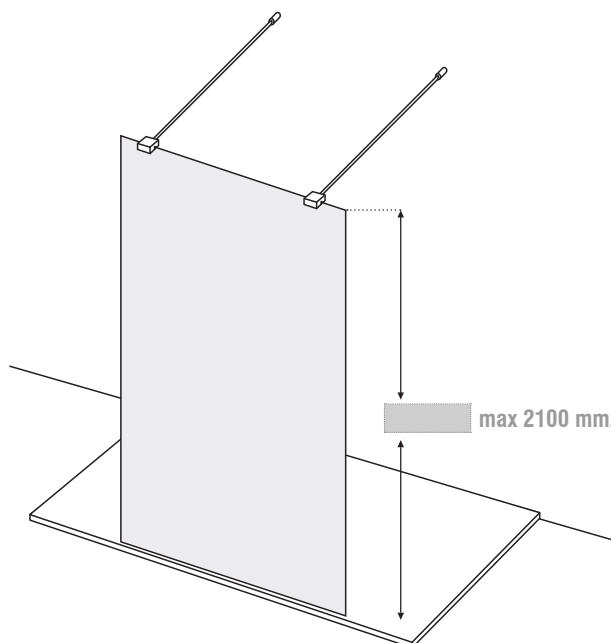
.....

NOTE / NOTES / NOTES / NOTIZEN

.....



min 300 / max 1800 mm.



max 2100 mm.