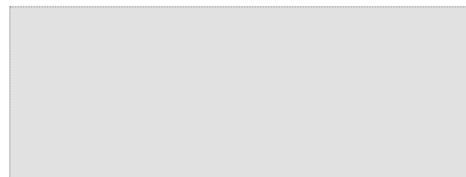


**RICHIEDENTE**

APPLICANT / CLIENT / ANTRAGSTELLER

.....  
 .....  
 .....



TIMBRO / CUSTOMER'S SEAL / TAMPON / STEMPEL

**MODELLO**

MODEL / MODELE / MODELL

## FLORIDA PORTA : CO-PSC3

**ALTEZZA**

HEIGHT / HAUTEUR / HÖHE

..... mm.



**REVERSIBILE**

REVERSIBLE / REVERSIBLE / UMKEHRBAR

**LASTRA**

GLASS / VERRE / GLAS

.....

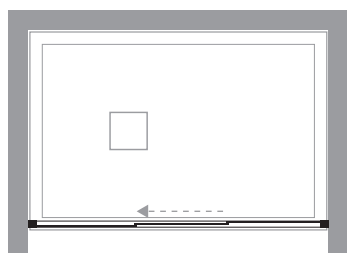
**COLORE**

COLOUR / COULEUR / FARBE

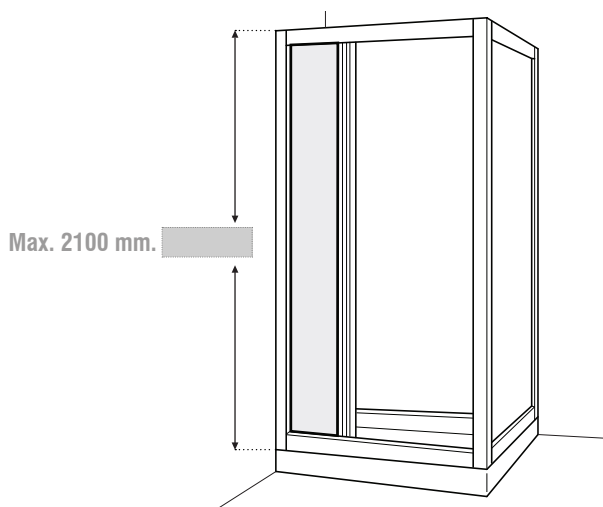
.....

**NOTE / NOTES / NOTES / NOTIZEN**

.....  
 .....  
 .....



min 680 / max 1700 mm.



Max. 2100 mm.