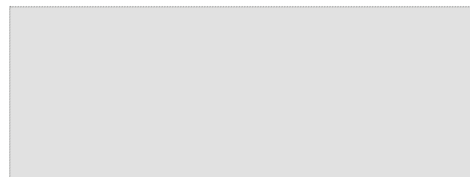


RICHIEDENTE

APPLICANT / CLIENT / ANTRAGSTELLER

.....



TIMBRO / CUSTOMER'S SEAL / TAMPON / STEMPEL

MODELLO

MODEL / MODELE / MODELL

SOFFIETTO 2000 : CO-PSO

ALTEZZA

HEIGHT / HAUTEUR / HÖHE

..... mm.



REVERSIBILE

REVERSIBLE / REVERSIBLE / UMKEHRBAR

LASTRA

GLASS / VERRE / GLAS

.....

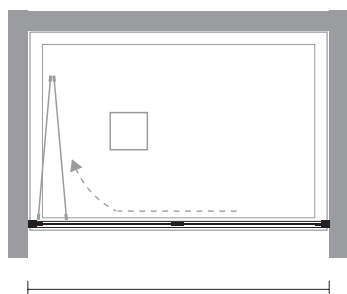
COLORE

COLOUR / COULEUR / FARBE

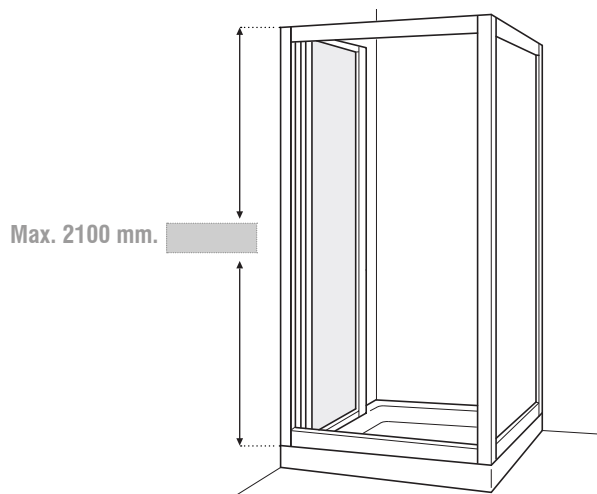
.....

NOTE / NOTES / NOTES / NOTIZEN

.....



Max. 950 mm.



Max. 2100 mm.