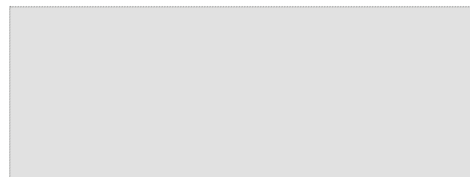


RICHIEDENTE

APPLICANT / CLIENT / ANTRAGSTELLER

.....



TIMBRO / CUSTOMER'S SEAL / TAMPON / STEMPEL

MODELLO

MODEL / MODELE / MODELL

FISSO FLORIDA PER VASCA : CO-VSCF

ALTEZZA

HEIGHT / HAUTEUR / HÖHE

..... mm.



REVERSIBILE

REVERSIBLE / REVERSIBLE

LASTRA

GLASS / VERRE / GLAS

.....

COLORE

COLOUR / COULEUR / FARBE

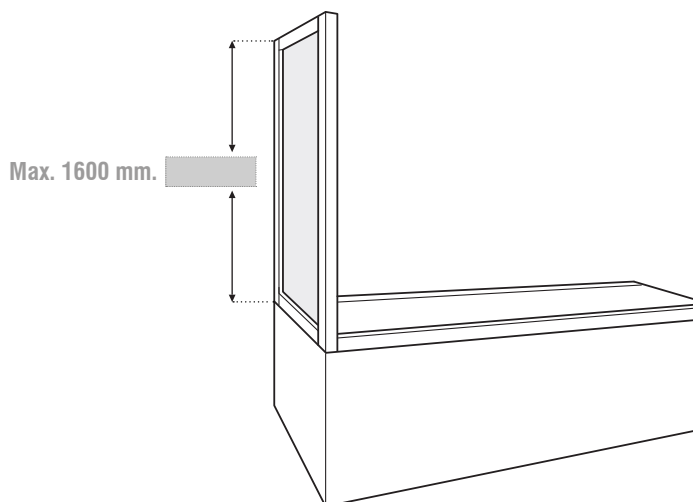
.....

NOTE / NOTES / NOTES / NOTIZEN

.....



min 140 / max 1000 mm.



Max. 1600 mm.