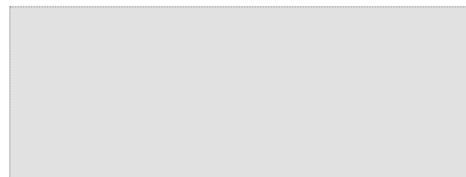


RICHIEDENTE

APPLICANT / CLIENT / ANTRAGSTELLER

.....
.....
.....



TIMBRO / CUSTOMER'S SEAL / TAMPON / STEMPEL

MODELLO

MODEL / MODELE / MODELL

SPAZIO 300 : CO-3PPI

ALTEZZA

HEIGHT / HAUTEUR / HÖHE

..... mm.



NON REVERSIBILE

NON-REVERSIBLE / NON-REVERSIBLE / NICHT UMKEHRBAR

LASTRA

GLASS / VERRE / GLAS

.....

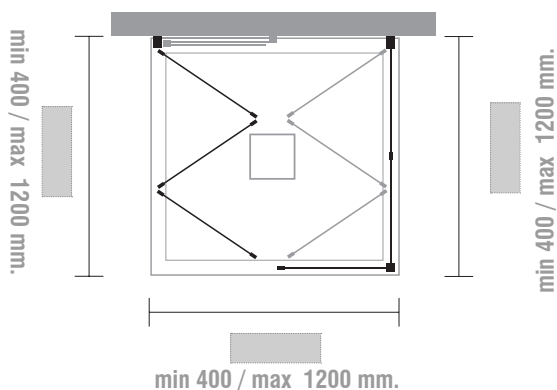
COLORE

COLOUR / COULEUR / FARBE

.....

NOTE / NOTES / NOTES / NOTIZEN

.....
.....
.....



INSTALLAZIONE

INSTALLATION / TYPE D'INSTALLATION / INSTALLATION



A PAVIMENTO

FLOOR INSTALLATION
SUR LE SOL
BODENMONTIERT



SU PIATTO DOCCIA

SHOWER TRAY INSTALLATION
SUR RECEVEUR
AUF DUSCHWANNE

