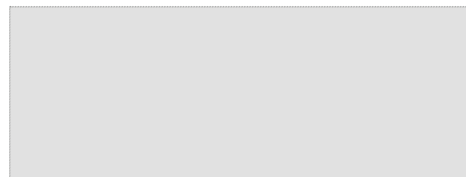


RICHIEDENTE

APPLICANT / CLIENT / ANTRAGSTELLER

.....



TIMBRO / CUSTOMER'S SEAL / TAMPON / STEMPSEL

MODELLO

MODEL / MODELE / MODELL

SPADO : SD-ASC

ALTEZZA

HEIGHT / HAUTEUR / HÖHE

..... mm.



REVERSIBILE

REVERSIBLE / REVERSIBLE / UMKEHRBAR

LASTRA

GLASS / VERRE / GLAS

.....

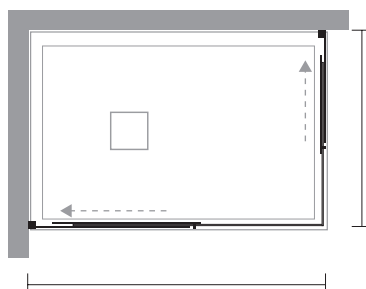
COLORE

COLOUR / COULEUR / FARBE

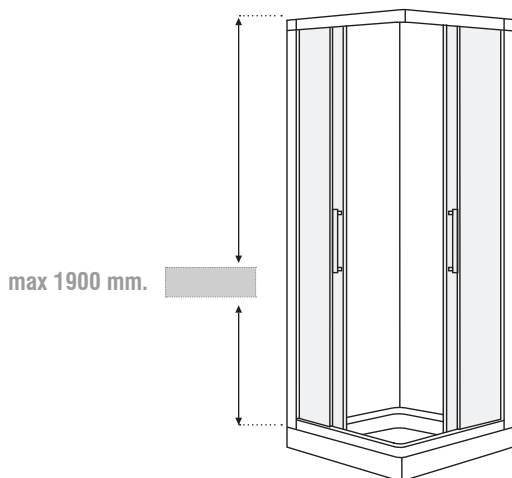
.....

NOTE / NOTES / NOTES / NOTIZEN

.....



min 450 / max 1200 mm.



max 1900 mm.