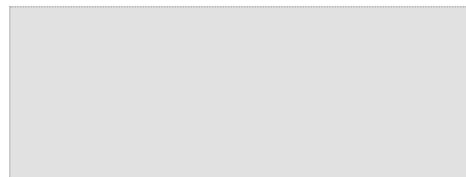


RICHIEDENTE

APPLICANT / CLIENT / ANTRAGSTELLER

.....



TIMBRO / CUSTOMER'S SEAL / TAMPON / STEMPEL

MODELLO

MODEL / MODELE / MODELL

OTTAVIO : OT-PBAF

ALTEZZA

HEIGHT / HAUTEUR / HÖHE

..... mm.



NON REVERSIBILE

NON-REVERSIBLE / NON-REVERSIBLE / NICHT UMKEHRBAR

LASTRA

GLASS / VERRE / GLAS

.....

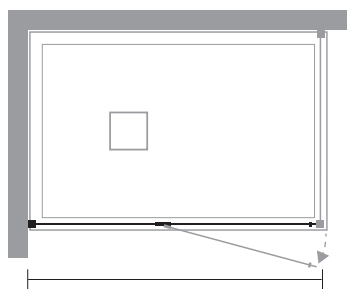
COLORE

COLOUR / COULEUR / FARBE

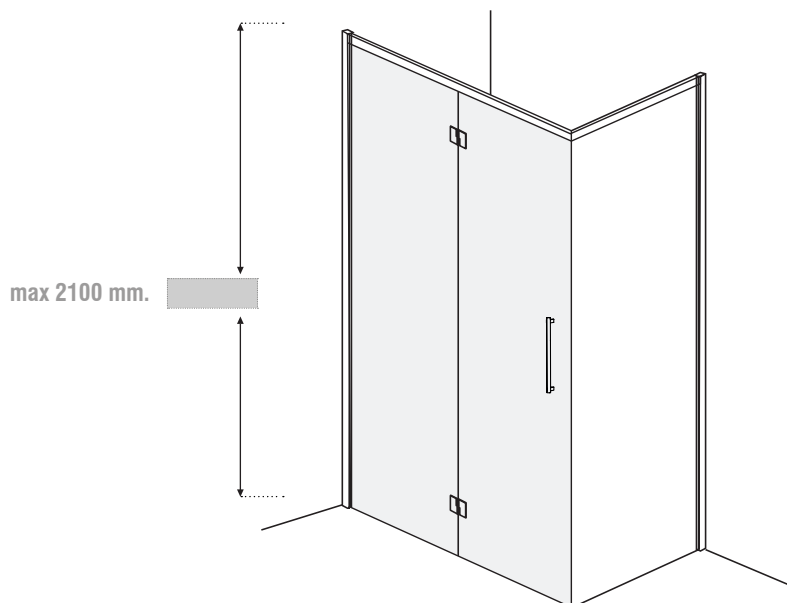
.....

NOTE / NOTES / NOTES / NOTIZEN

.....



min 600 / max 1800 mm.



max 2100 mm.