

RICHIEDENTE
APPLICANT / CLIENT

.....
.....
.....



TIMBRO / CUSTOMER'S SEAL / TAMPON

MODELLO **ELIO : EL-PSCC**
MODEL / MODELE

ALTEZZA **2000**
HEIGHT / HAUTEUR mm.



NON REVERSIBILE
NOT REVERSIBLE / NON RÉVERSIBLE

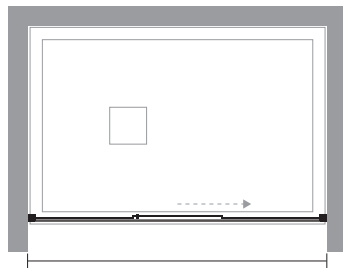
LASTRA
GLASS / VERRE

COLORE
COLOUR / COULEUR

NOTE / NOTES / NOTES

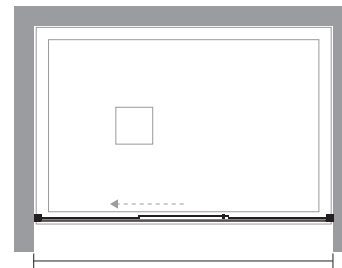
.....
.....
.....

VERSIONE DESTRA (DX)
RIGHT HANDED (DX) / VERSION DROITE (DX)

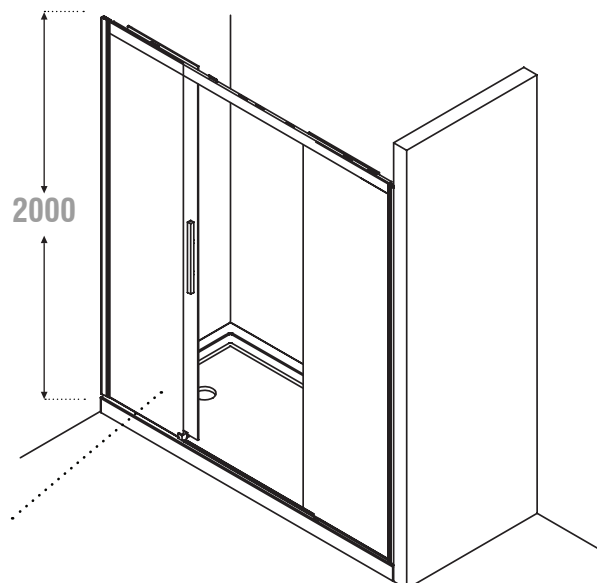
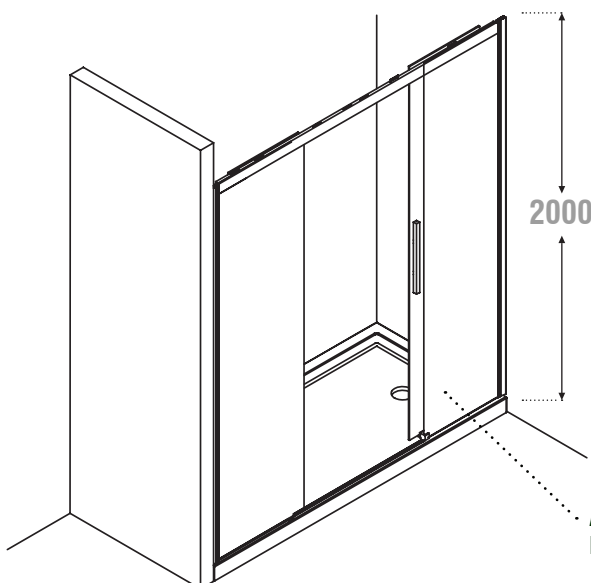


min 1500 / max 2000 mm.

VERSIONE SINISTRA (SX)
LEFT HANDED (SX) / VERSION GAUCHE (SX)



min 1500 / max 2000 mm.



Anta / Door / Porte
L max 650 mm

DATA - DATE - DATE