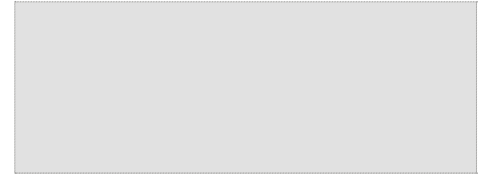


RICHIEDENTE
 APPLICANT / CLIENT

.....



TIMBRO / CUSTOMER'S SEAL / TAMPON

MODELLO **12 GRADI : DG-WI6**
 MODEL / MODELE

ALTEZZA mm.
 HEIGHT / HAUTEUR



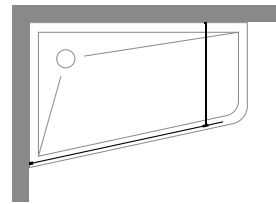
REVERSIBILE
 REVERSIBLE / REVERSIBLE

SP. VETRO **6 mm**
 HEIGHT / HAUTEUR

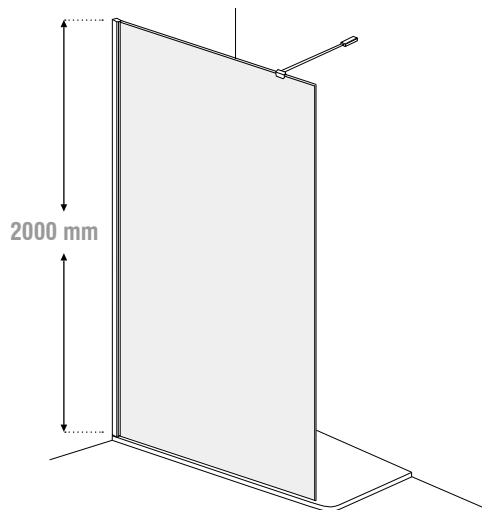
LASTRA
 GLASS / VERRE

COLORE
 COLOUR / COULEUR

NOTE / NOTES / NOTES



1200 mm



2000 mm